

Tii 231 Series

Coaxial Satellite Dish Surge Protectors

Transparent to Satellite Dish
Signal Transmission

Incorporates Solid State Coaxial
Surge Protection in Circuitry

Equipped with a Grounding Lug
for up to Size 10 Wire

Available in One Line and Two
Line Protection Configurations

Provides Surge Protection for
Satellite Dishes and Receivers

Impedance Matched to 75 Ohms

Power Passing

Return Loss 18 dB

Insertion Loss <0.5 dB

Frequency Range 0.9-2.2 GHz

Listed to UL 497B



Tii 231-2



Tii 231-1

The Tii 231 Series Coaxial Surge Protectors are specifically designed for satellite dish installations. The Tii 231 protects the satellite dish, the receiver and the antenna from lightning induced surges.

KEY PRODUCT BENEFITS

- ▶ Protects satellite receivers.
- ▶ Unique strip line design is impedance matched to 75 ohms and is completely transparent to all signals transmitted from 0.9 to 2.2 GHz.
- ▶ DC breakdown voltage of the protector is designed to protect against even the smallest transient surges, yet is compatible with powered satellite dish receivers.
- ▶ Metallic housing provides EMI shielding.
- ▶ Available with single or dual LNB connections.
- ▶ Environmentally sealed against moisture and humidity.

INDUSTRY STANDARDS

- ▶ Listed to UL 497C.

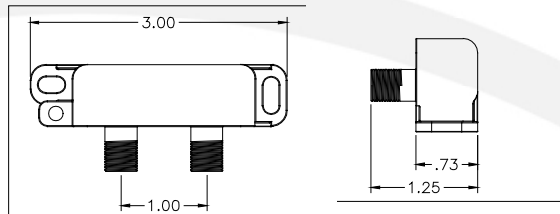


tii network technologies

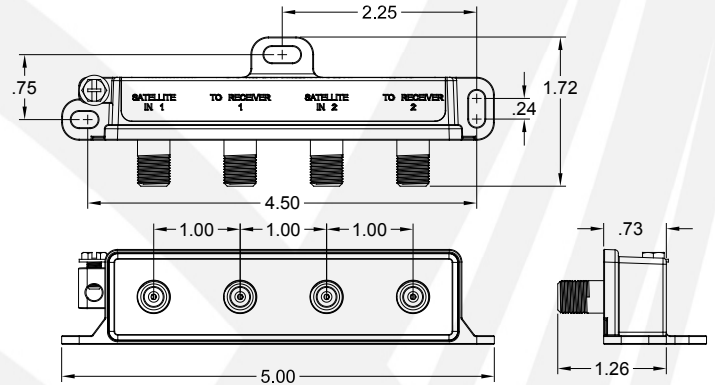
141 Rodeo Drive
Edgewood, NY 11717
T. 631.789.5000
Toll Free 888.844.4720
F. 631.789.5063
sales@tiinettech.com

www.tiinettech.com

Tii 231



Tii 231-1



Tii 231-2

Dimensions are in Inches

SPECIFICATIONS

SATELLITE CABLE PROTECTION

DC Breakdown	< 30 V
Surge Voltage @ 100V/μs	< 40 V
Insertion Loss (900MHz-2.2GHz)	< 0.5 dB
Return Loss (900MHz-2.2GHz)	18 dB Typical

ORDERING INFORMATION

Model No.	Description
Tii 231-1	One Line Coaxial Satellite Dish Surge Protector
Tii 231-2	Two Line Coaxial Satellite Dish Surge Protector
Standard Package:	tii 231-1 50 pieces tii 231-2 20 pieces
Weight:	0.137 lbs. each 0.225 lbs. each